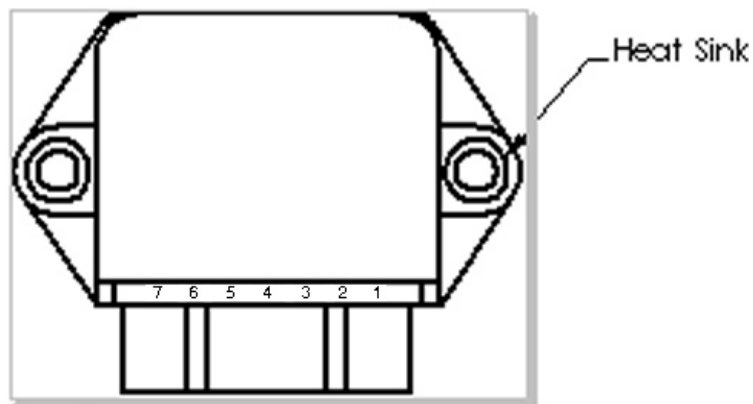
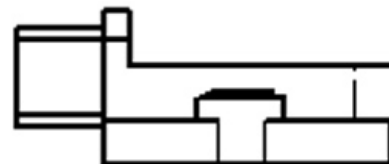
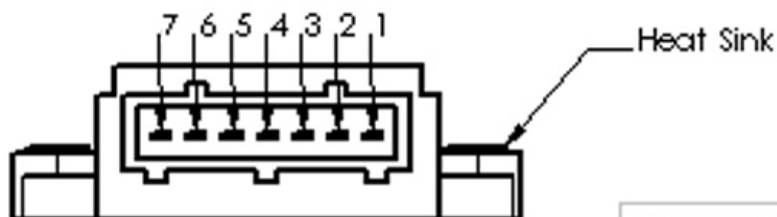
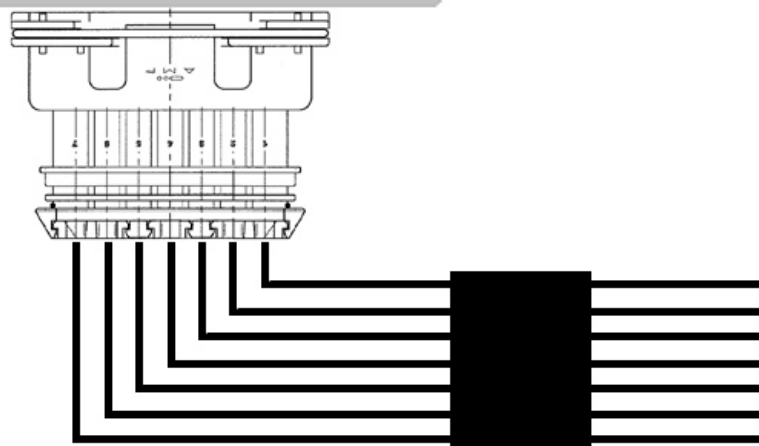


Nology ProFire Ignition Module



Three Channel Module

Pin#1	Ch1 - Signal In	Yellow
Pin#2	Ch1 - To Coil Negative (-)	Yellow w/ Black
Pin#3	Ch2 - Signal In	Green
Pin#4	Ch2 - To Coil Negative (-)	Green w/ Black
Pin#5	Ch3 - Signal In	Blue
Pin#6	Ch3 - To Coil Negative (-)	Blue w/ Black
Pin#7	Battery Negative (-) or Engine Ground	Black
Heat Sink	Engine Ground	



NOLOGY Engineering, Inc.

Part # 200-003-148

Drawing # 0

Sheet 1 of 1

Description
PFM 3A - ProFire Ignition Module

Scale 1 : 1

Revision 0

Drawn By
IEA

Check By
IEA

Drawn By
IE

Approval By

Date
November 20, 2001